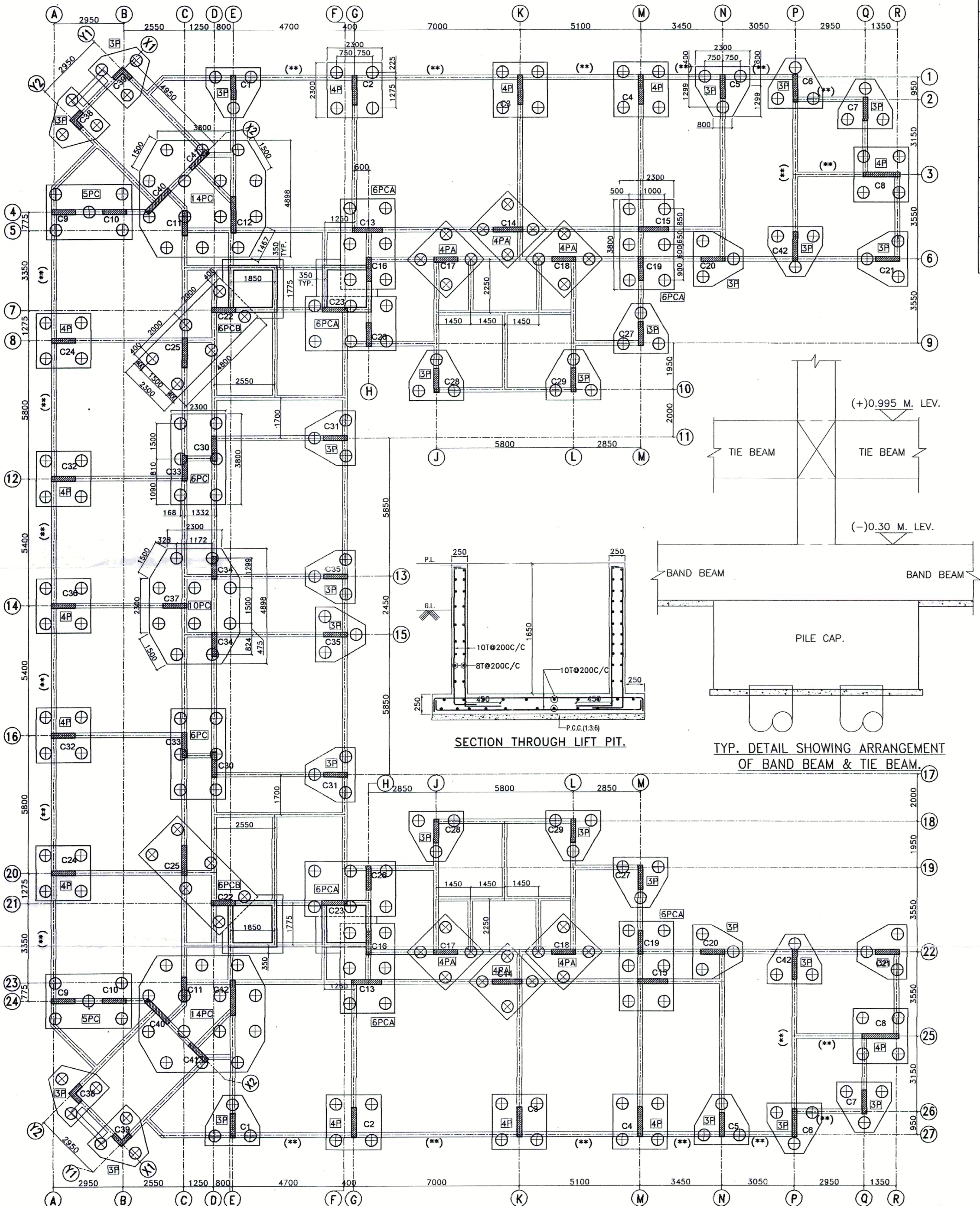
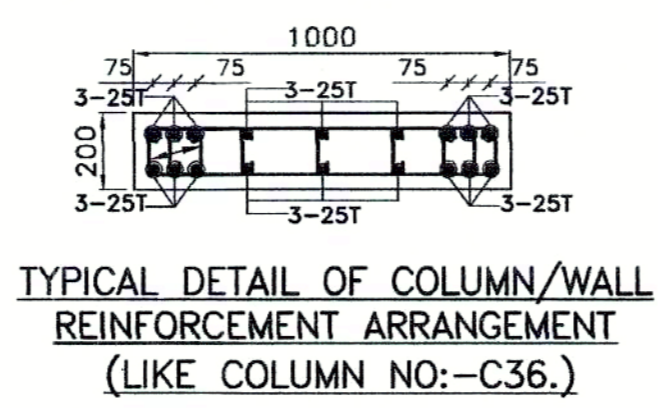


G.L. CONSIDERED AS (±)0.00M. LEVEL.



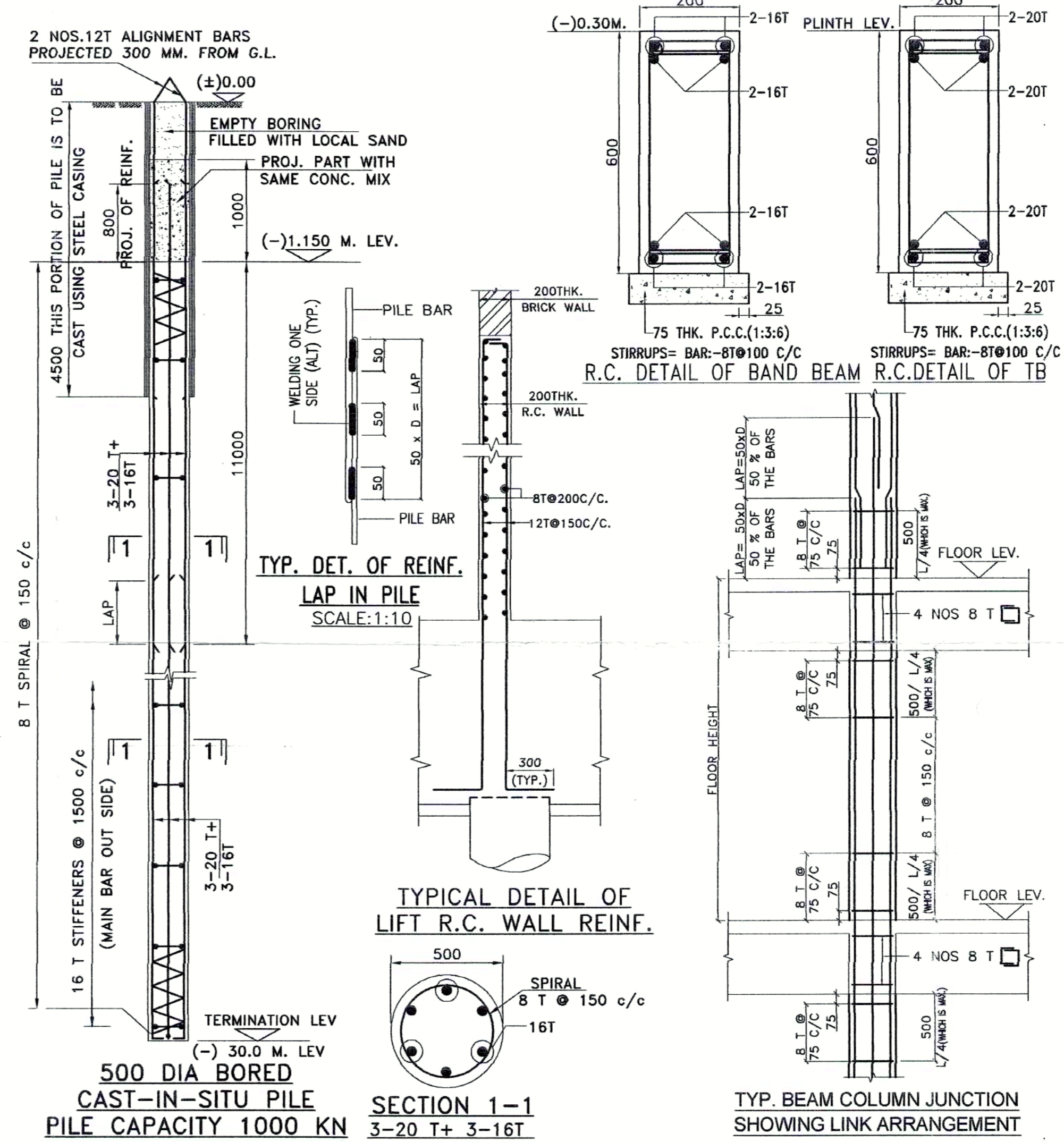
FOUNDATION & TIE BEAM LAYOUT PLAN [TOWER-1]  
U.N.O. ALL TIE BEAM TOP WILL BE (+)0.995M LEVEL. (\*\*\*) TOP OF THE BEAM WILL BE (-)0.30M. LEVEL.

COLUMN / WALL SCHEDULE

COLUMN MKD.	COL. SIZE	REINFORCEMENT				
		FDN. TO 1st FLOOR	1st. FLOOR TO 3rd. FLOOR LEV.	3rd. FLOOR TO 7th. FLOOR LEV.	7th. FLOOR TO 9th. FLOOR LEV.	9th. FLOOR TO ROOF LEV.
C8,C12,C25,C40.	200X1500	3-25T+6-20T+3-25T 3-25T+6-20T+3-25T	3-25T+6-20T+3-25T 3-25T+6-20T+3-25T	3-25T+6-20T+3-25T 3-25T+6-20T+3-25T	3-25T+6-16T+3-25T 3-25T+6-16T+3-25T	3-25T+6-16T+3-25T 3-25T+6-16T+3-25T
C4,C13,C14,C15.	200X1250	3-25T+3-25T+3-25T 3-25T+3-25T+3-25T	3-25T+3-25T+3-25T 3-25T+3-25T+3-25T	3-25T+3-25T+3-25T 3-25T+3-25T+3-25T	3-25T+3-16T+3-25T 3-25T+3-16T+3-25T	3-25T+3-16T+3-25T 3-25T+3-16T+3-25T
C2,C3.	200X1250	4-25T+3-25T+4-25T 4-25T+3-25T+4-25T	4-25T+3-20T+4-25T 4-25T+3-20T+4-25T	4-25T+3-16T+4-25T 4-25T+3-16T+4-25T	4-25T+3-12T+4-25T 4-25T+3-12T+4-25T	4-25T+3-12T+4-25T 4-25T+3-12T+4-25T
C6.	200X1150	3-20T+3-16T+3-20T 3-20T+3-16T+3-20T	3-20T+3-16T+3-20T 3-20T+3-16T+3-20T	3-20T+3-16T+3-20T 3-20T+3-16T+3-20T	3-20T+3-12T+3-20T 3-20T+3-12T+3-20T	3-20T+3-12T+3-20T 3-20T+3-12T+3-20T
C11,C23,C30,C33.	200X1050	3-25T+3-16T+3-25T 3-25T+3-16T+3-25T	3-25T+3-16T+3-25T 3-25T+3-16T+3-25T	3-25T+3-16T+3-25T 3-25T+3-16T+3-25T	3-25T+3-12T+3-25T 3-25T+3-12T+3-25T	3-25T+3-12T+3-25T 3-25T+3-12T+3-25T
C5,C7,C16,C20,C21, C26,C41,C42.	200X1000	3-16T+3-16T+3-16T 3-16T+3-16T+3-16T	3-16T+3-16T+3-16T 3-16T+3-16T+3-16T	3-16T+3-16T+3-16T 3-16T+3-16T+3-16T	3-16T+3-12T+3-16T 3-16T+3-12T+3-16T	3-16T+3-12T+3-16T 3-16T+3-12T+3-16T
C9,C10,C18,C19,C27, C29,C34,C37.	200X1000	3-20T+3-16T+3-20T 3-20T+3-16T+3-20T	3-20T+3-16T+3-20T 3-20T+3-16T+3-20T	3-20T+3-16T+3-20T 3-20T+3-16T+3-20T	3-20T+3-12T+3-20T 3-20T+3-12T+3-20T	3-20T+3-12T+3-20T 3-20T+3-12T+3-20T
C22,C28.	200X1000	3-20T+3-20T+3-20T 3-20T+3-20T+3-20T	3-20T+3-20T+3-20T 3-20T+3-20T+3-20T	3-20T+3-20T+3-20T 3-20T+3-20T+3-20T	3-20T+3-16T+3-20T 3-20T+3-16T+3-20T	3-20T+3-16T+3-20T 3-20T+3-16T+3-20T
C1,C17,C24,C31,C32, C35.	200X1000	3-25T+3-20T+3-25T 3-25T+3-20T+3-25T	3-25T+3-20T+3-25T 3-25T+3-20T+3-25T	3-25T+3-20T+3-25T 3-25T+3-20T+3-25T	3-25T+3-16T+3-25T 3-25T+3-16T+3-25T	3-25T+3-16T+3-25T 3-25T+3-16T+3-25T
C36.	200X1000	3-25T+3-25T+3-25T 3-25T+3-25T+3-25T	3-25T+3-25T+3-25T 3-25T+3-25T+3-25T	3-25T+3-25T+3-25T 3-25T+3-25T+3-25T	3-25T+3-16T+3-25T 3-25T+3-16T+3-25T	3-25T+3-16T+3-25T 3-25T+3-16T+3-25T
C38,C39.	200X600/ 600X200	12-16 T	12-16 T	8-16T+4-12T	8-16T+4-12T	8-16T+4-12T

SCHEDULE OF PILE CAP

PILE CAP MKD	OVERALL DEPTH (mm)	CAP REINFORCEMENT						
		LONGER BAR			SHORTER BAR			BURSTING BAR
		BOTTOM BAR	TOP BAR	STIRRUPS	BOTTOM BAR	TOP BAR	STIRRUPS	
3P	1200	7-20T	4-12T	4L-12T@200C/C	7-20T	4-12T	4L-12T@200C/C	12T@150C/C.
4P	1250	15-20T	8-12T	6L-12T@200C/C	15-20T	8-12T	6L-12T@200C/C	12T@150C/C.
4PA	1250	15-20T	8-12T	-	15-20T	8-12T	-	12T@150C/C.
5PC	1250	15-20T	8-12T	-	23-20T	12-12T	-	12T@150C/C.
6PC	1250	15-20T	8-12T	-	25-20T	13-12T	-	12T@150C/C.
6PCA	1250	15-20T	15-20T	6L-12T@125C/C	25-20T	13-12T	-	12T@150C/C.
6PCB	1350	15-25T	8-12T	-	35-20T	18-12T	-	12T@150C/C.
10PC	1250	25-25T	13-12T	-	39-20T	20-12T	-	12T@150C/C.
14PC	1350	37-25T	19-12T	-	39-20T	20-12T	-	12T@150C/C.



PROJECT:  
PROPOSED PARTLY B+G+12 STORIED AFFORDABLE HOUSING AT PREMISES NO. - MOUZA - BHASA, J.L. NO. - 20, L.R. DAG NO. - 483 TO 485, 489 TO 495, 497 TO 499, 513 TO 517, 727. P.S.- BISHNUPUR, DIST - 24 PGS (SOUTH).  
(PARTY/REVIS SANCTION DONE VIDE FILE NO. - 558/688/REV/KMDA, Dtd 01-04-2019.)

BLOCK-1 | TOWER-1

- NOTES:
- ALL DIMENSIONS ARE IN MM. & LEVELS ARE IN M. U.N.O.
  - GRADE OF REINFORCEMENT IS F500.
  - GRADE OF CONCRETE IS
    - PILE = M30
    - PILE CAP, COLUMNS, BEAMS, SLABS UP TO 3rd FLOOR LEV. = M40
    - COLUMNS, BEAMS, SLABS FROM 3rd. FLOOR TO ROOF LEV. = M35.
  - LAP/BONDS LENGTH SHALL BE 50 x D WHERE D IS THE DIA OF SMALLER BAR.
  - CLEAR COVER TO REINFORCEMENT:-
    - PILE/PILECAP: 50 mm
    - COLUMN & TIE BEAM = 40 mm
    - FLOOR BEAM = 25 mm/FLOOR SLAB = 20 mm
    - WAST SLAB = 20 mm
  - SPECIAL NOTES FOR PILES:-
    - SLUMP FOR CONCRETE SHALL BE 150 TO 180.
    - MAXIMUM W/C RATIO IS 0.5
    - MINIMUM CEMENT CONTENT IS 400KG/CUM OF CONCRETE.
    - CUTTING SHALL BE DONE BY CHESEL AND BALLER,
    - EXTRUSION SHALL BE DONE BY D.M.C. METHOD.
    - ROLLER TYPE COVER BLOCK IS TO BE USED.
    - SPECIFIC GRAVITY OF BENTONITE SLURRY AFTER WASH SHALL BE 1.1 TO 1.12.
    - PILE TO BE TESTED IN ACCORDANCE WITH IS 2911 PART-4.

Woodland Complex Private Limited | Development Corporation Private Limited  
Director | Director  
(SIGNATURE OF OWNER & SEAL)

CERTIFICATE  
WE DO HEREBY CERTIFY THAT THE FOUNDATION AND SUPERSTRUCTURE OF THE BUILDING PROPOSED FOR CONSTRUCTION ON PREMISES NO. MOUZA-BHASA, J.L. NO. - 20, L.R. DAG. NO. - 483 TO 485, 489 TO 495, 497 TO 499, 513 TO 517, 727. P.S.- BISHNUPUR, DIST - 24 PGS ( SOUTH) HAVE BEEN SO DESIGNED BY ME / US WILL MAKE SUCH FOUNDATION AND SUPERSTRUCTURE SAFE IN ALL RESPECT INCLUDING THE CONSIDERATION OF BEARING CAPACITY AND SETTLEMENT OF SOIL ETC.

MALAY KUMAR GHOSH  
Regn. No. CA/92/14854  
35A, Dr. Sarat Banerjee Road  
Kolkata - 700 029

MALAY KUMAR GHOSH  
REGN. NO. CA/92/14854  
35A, DR. SARAT BANERJEE ROAD, KOLKATA-700029  
SIGNATURE OF ARCHITECT & SEAL

Koushik Sengupta  
B.E. (CIVIL), M.E. (STRUCTURE)  
E. S. E. - 1/76 (K. M. C.)

Koushik Sengupta  
B.E. (CIVIL), M.E. (STRUCTURE)  
ESE - 1/76 (K. M. C.)  
SIGNATURE OF STRUCTURAL ENGINEER & SEAL

Alok Roy  
Empanelled Geotechnical Engineer  
Kolkata Municipal Corporation  
Class-4, No. G/7/1/11  
6A, Milan Park,  
Kolkata-700 084

Checked & Vetted  
Dr. Parthiv Ghosh  
B.E. (CIVIL), M.E. (Structural Engg.), Ph.D. (Engg.)  
Professor  
Geotechnical Engg. Department  
6A MILAN PARK, GARIA, KOLKATA-700084  
SIGNATURE OF GEO-TECHNICAL ENGINEER & SEAL

ARCHITECT  
SPACE  
35A, DR.SARAT BANERJEE ROAD,KOLKATA-700029  
FAX-PHONE- 033-465-4130, 033-465-4159, e-mail- space @ vsnl.com

STRUCTURAL CONSULTANT  
KSG PROJECTS AND INFRASTRUCTURE CONSULTANTS  
P-543,RAJAJI BASANTIA ROY ROAD, KOLKATA-700-029

SCALE:- 1:100,1:50,1:25,1:10 | DATE:-08.12.2020  
DRAWING NO.-KPIC/SPACE,/EDEN JOKA /TOWER-1/CORP./1 OF 2